

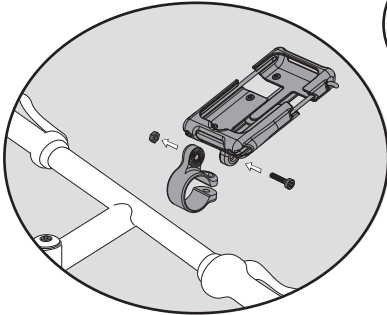
smart phone caddy

cell phone holder for cyclists

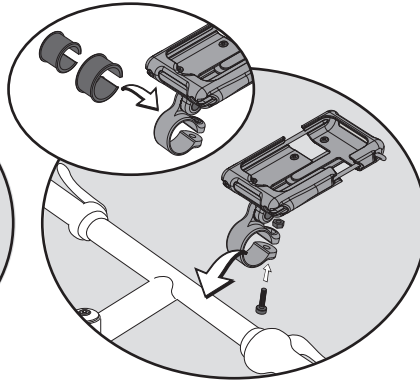
Stainless Steel hardware included.

Handlebar Mounting Instructions:

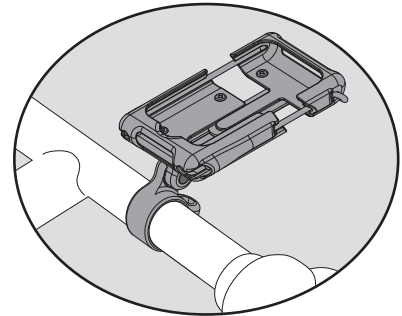
Manufactured in China



1) Connect holder to handlebar clamp and adjust angle before fully tightening bolt.

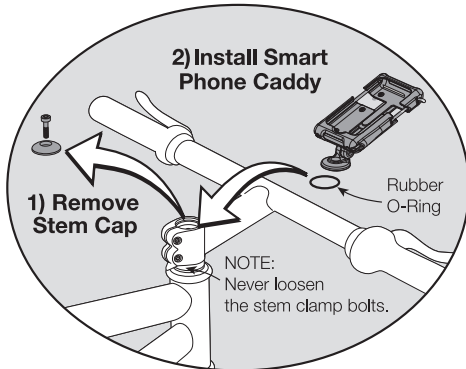


2) Secure handlebar clamp, using rubber shims as needed.



3) Determine desired angle of holder, then tighten bolt on handlebar clamp.

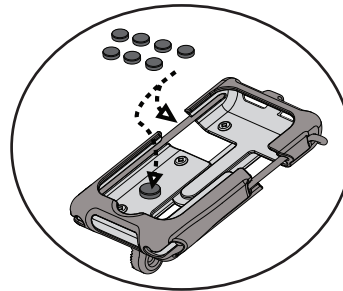
Stem Cap Mounting Instructions:



2) Install Smart Phone Caddy

1) Remove Stem Cap

NOTE:
Never loosen
the stem clamp bolts.



Stick-On Felt Bumpers:
Peel off adhesive backing and position bumpers as needed for a snug fit.

The Stem Cap is used when installing the stem, after which it can safely be removed and the space re-used.

WARNING: Nuts and bolts can loosen over time, resulting in severe danger should the item fall off while in motion. Check frequently to ensure all bolts are properly tightened. Not for off-road use.